

Instructions for use with the Universal Room Sealing Kits

**ROOMSEALKIT / ROOMSEALKIT90
SEALBOXKIT**

for the Burley range of Wood Burning Stoves

Applicable Appliances:

Debdale (9104), Hollywell (9105), Brampton (9108) & Wakerley (9112)

Launde (9304), Bradgate (9305), Swithland (9308) & Bosworth (9312)

Thorncombe (9404), Hardwick (9405), Ashdown (9408) & Crownley (9412)

Air supply

All hydrocarbon burning appliances require an oxygen/air supply.

If the stove is to be fitted on an external wall the air supply can be taken straight from the outside. A 100mm diameter hole needs to be drilled in the correct place (138mm above the hearth) to take the 86mm external (80mm internal) duct as supplied.

This will allow for easy connection, any gap can be filled in with cement or mastic.

A proprietary grille is supplied with the kit.

If the room sealing kit is not used, an air brick or non-closing vent should be fitted to ensure the air supply is not blocked in any way.

Ventilation is not required on the 3kW & 4kW models.

A side vent option to the room sealing kit is available.

Room Sealing Kit

The room sealing method of supplying air is always to be preferred as heat loss from the room will be greatly reduced therefore increasing the efficiency of the appliance.

If the stove is not on an outside wall or the direct air supply method cannot be used, an air vent must be supplied in the room in which the stove is fitted. The sizes of the vents required are:

3kW - No vent required (***Using the room sealing kit will increase efficiency***)

4kW - No vent required (***Using the room sealing kit will increase efficiency***)

5kW - 550mm sq required (**For homes built before 2010 no air vent requirement.**)

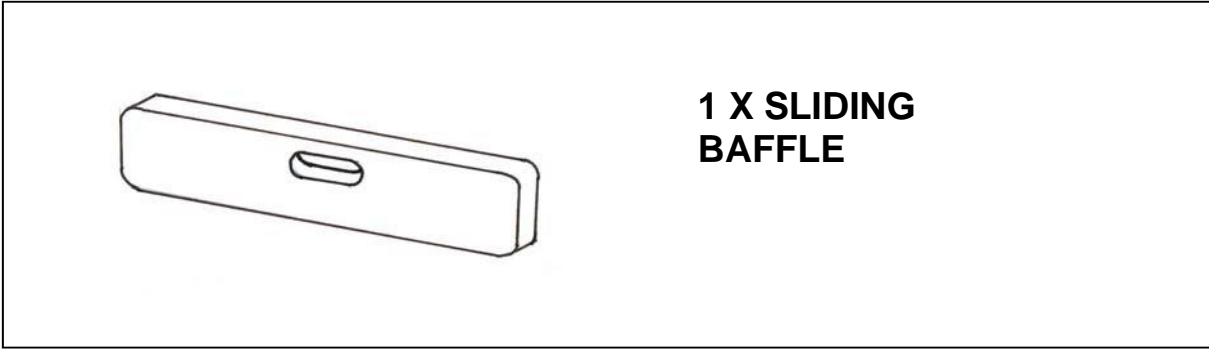
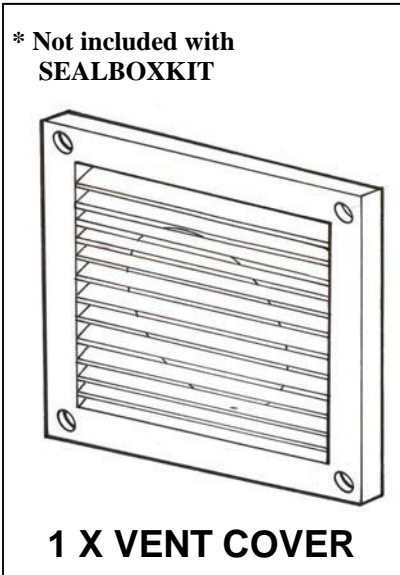
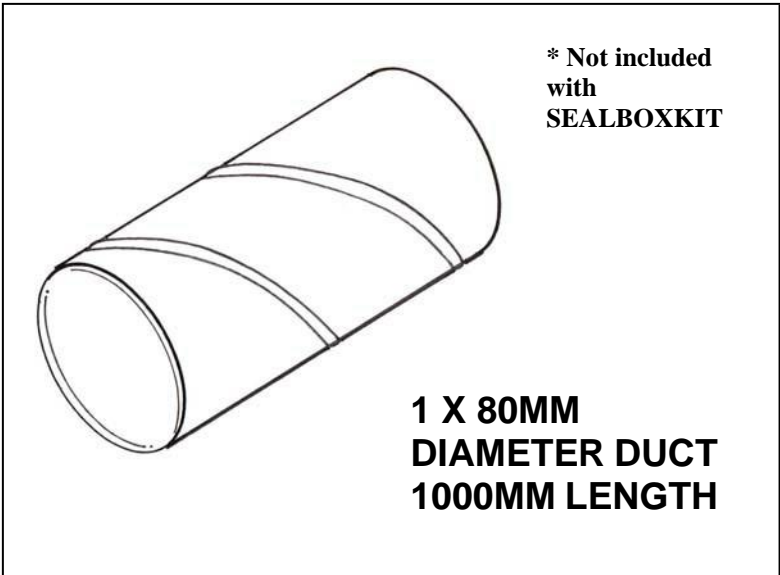
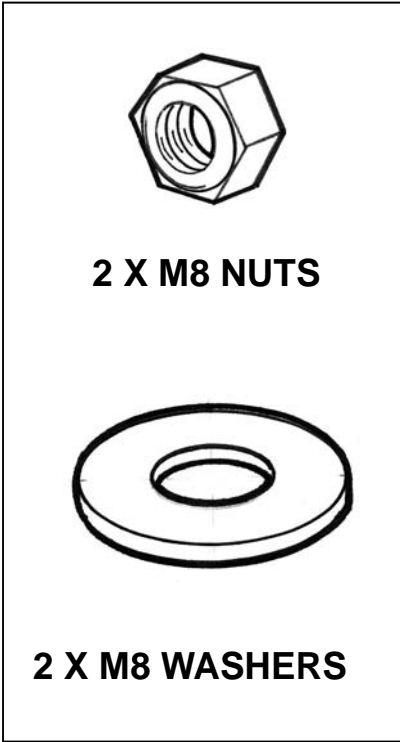
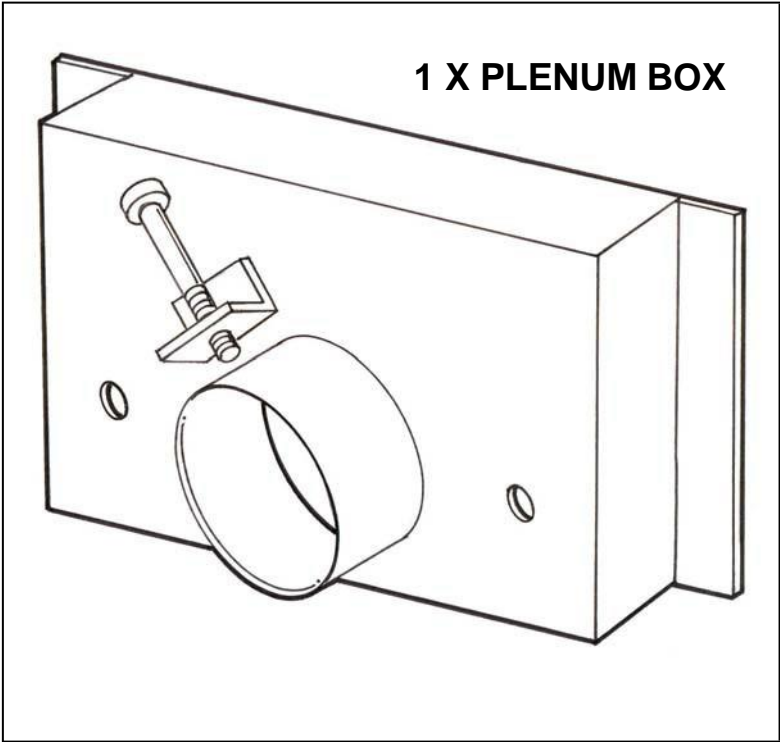
8kW - 1650mm sq (50mm diameter)

12kW 4950mm Sq (100mm diameter)

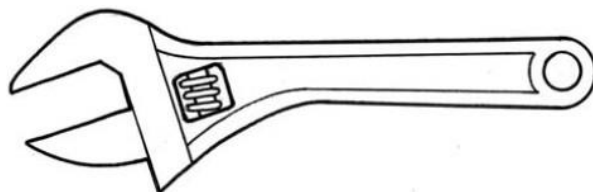
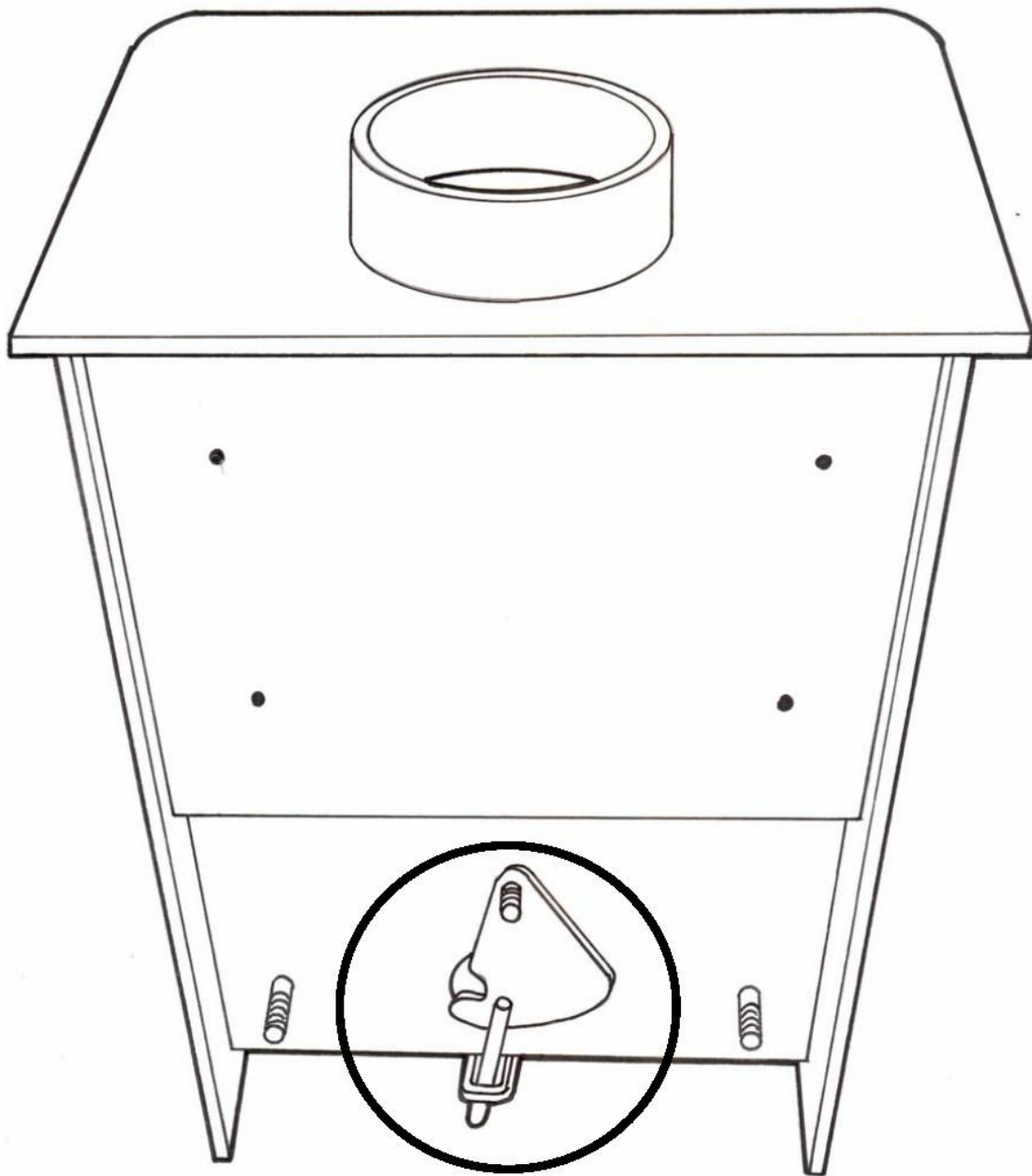
Only permanently open vents can be used, and consideration should be given to draught when the stove is not in use, therefore site this vent carefully.

The vent covers should comply with Building Regulations Part J and should be sited where they cannot be blocked.

Room Sealing Kit Contents:



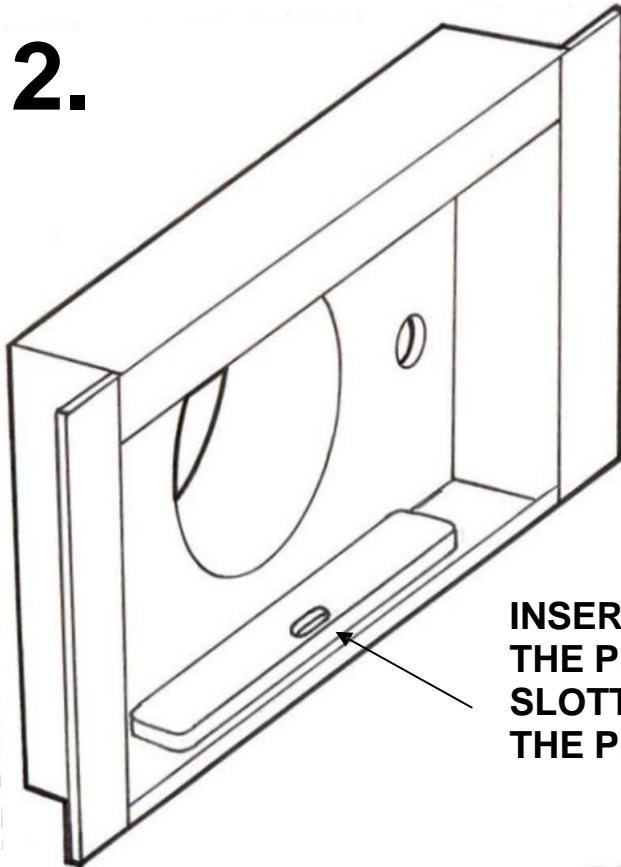
Fitting Instructions



1.

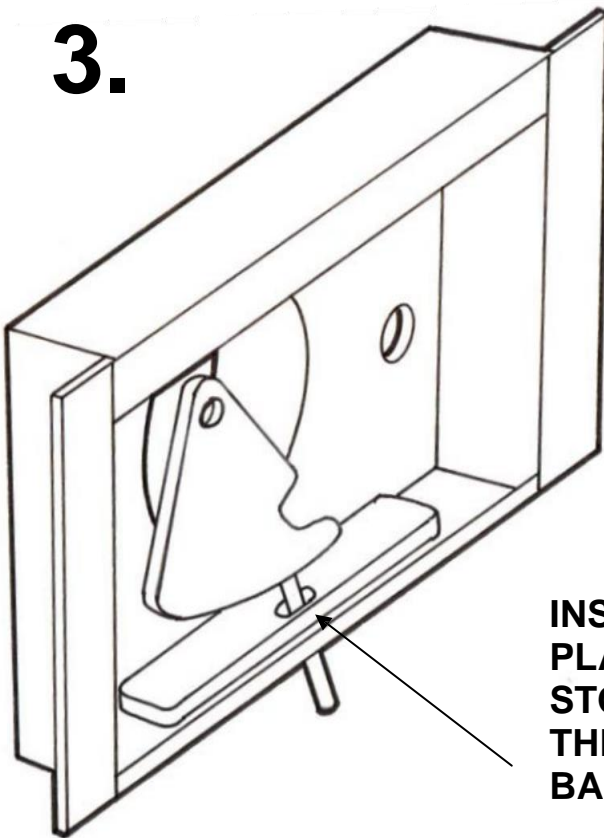
UNDO AND REMOVE THE NUT AND TWO WASHERS.
REMOVE THE AIR CONTROL PLATE.

2.



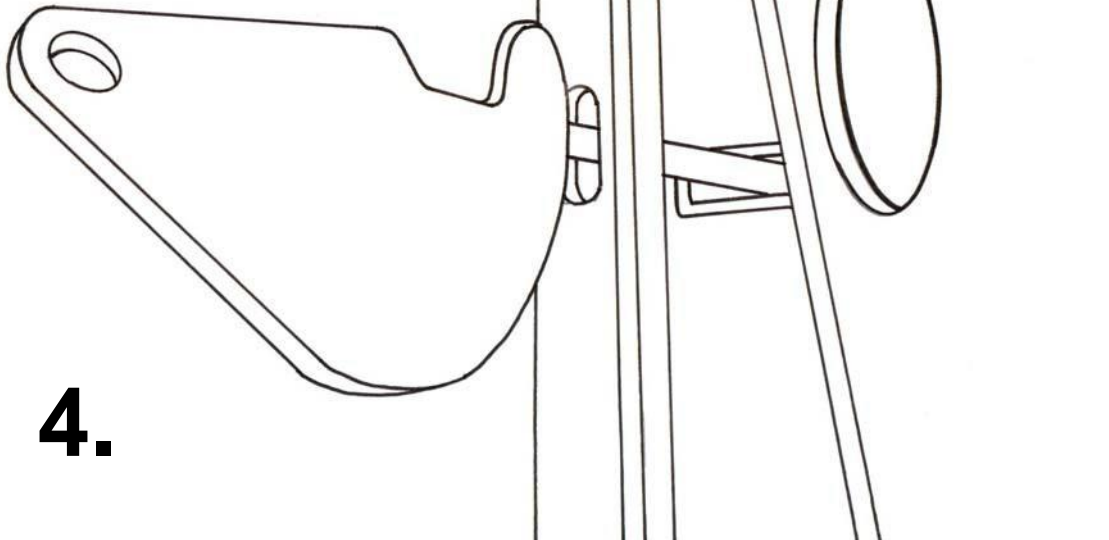
INSERT SLIDING BAFFLE INTO THE PLENUM BOX WITH THE SLOTTED EDGE CLOSEST TO THE PLENUM BOX FLANGE

3.



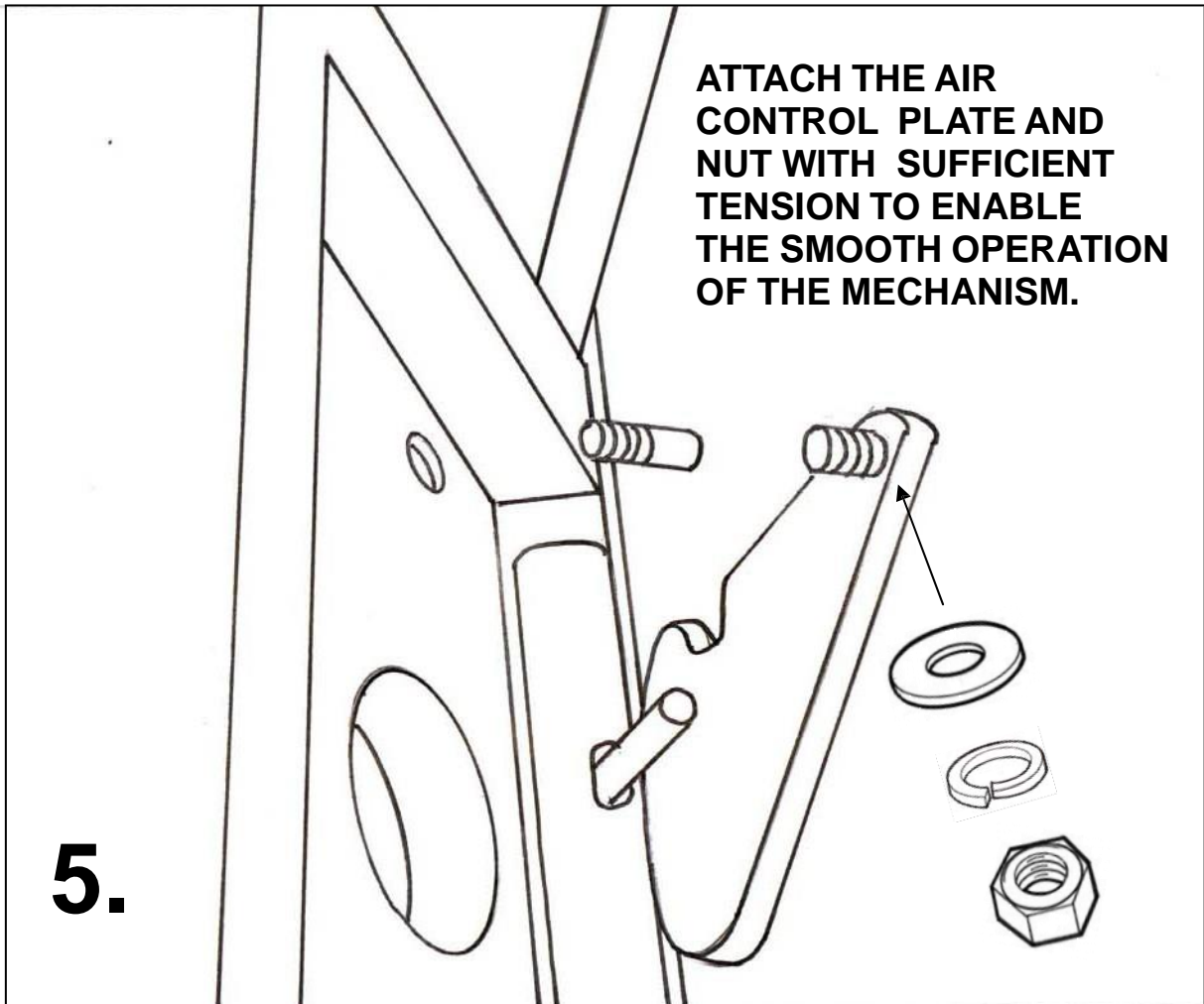
INSERT THE AIR CONTROL PLATE (REMOVED FROM THE STOVE IN SECTION 1) THROUGH THE SLOT IN THE SLIDING BAFFLE.

**INSERT THE END OF THE
AIR CONTROL PLATE INTO
THE AIR CONTROL
ARM.**

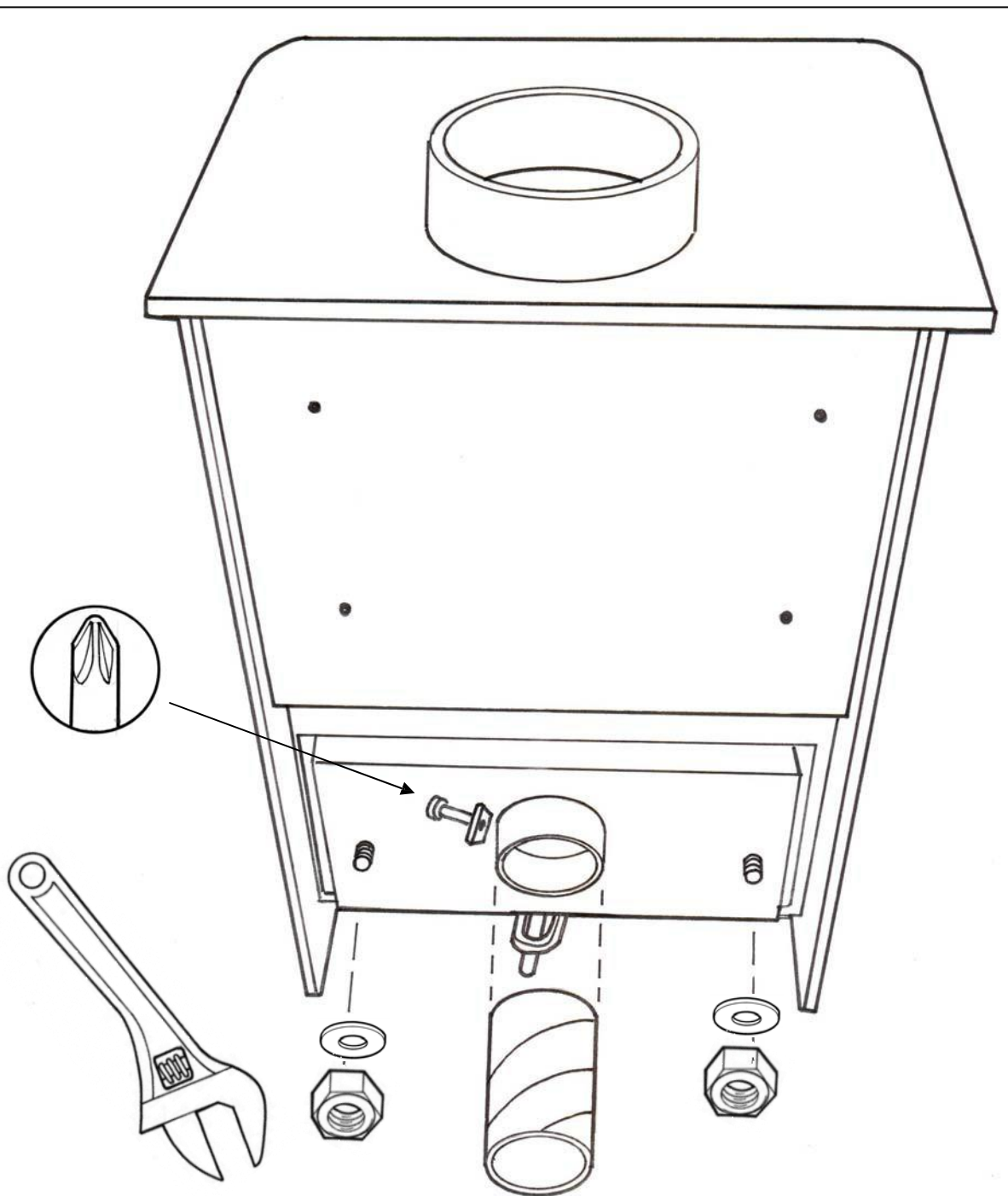


4.

**ATTACH THE AIR
CONTROL PLATE AND
NUT WITH SUFFICIENT
TENSION TO ENABLE
THE SMOOTH OPERATION
OF THE MECHANISM.**



5.



MOUNT THE PLENUM BOX ONTO THE FIXING STUDS AND SECURE WITH THE 2 X M8 NUTS AND WASHERS.

CUT THE DUCT TO THE LENGTH REQUIRED AND LOCATE ONTO THE SPIGOT ON THE PLENUM BOX. USE THE LOCKING SCREW TO SECURE THE DUCT.

6.

FIT THE VENT COVER ON THE EXTERNAL WALL.



Made in the UK



Burley Appliances Ltd

Lands End Way

Oakham

Rutland

LE15 6RB

United Kingdom

Email: sales@burley.co.uk

Phone: 01572 756956

Fax: 01572 724390