

Installation Instructions & User Manual

burley 

Icarus 5

Model 9605

READ ALL THE INSTRUCTIONS AND ENSURE YOU FULLY UNDERSTAND
THEM BEFORE USING THE STOVE

ECO Design 2022 ready
DEFRA approved - A Rated

**THESE INSTRUCTIONS MUST BE LEFT WITH THE USER
FOR FUTURE REFERENCE**

Table of Contents	
Approvals	3
The Clean Air Act 1993 and Smoke Control Areas	3
Stove Specifications – Output and Efficiency	4
Clearances to Combustibles	5
Hearths	5
Installation	5
Chimneys, Flues, Hearths and Surrounds	6
Ventilation	8
Dimensions	8
Room sealing your stove	9
Fitted upper restrictor plate.....	10
Fitted lower restrictor plate	10
Setting the minimum burn rate.....	11
Lighting and operating the stove.....	11
Maintenance and Upkeep.....	14
Door Adjustment	14
Sweeping the Chimney.....	15
Ash Removal	15
Cleaning the Stove Body	15
Care of Glass	15
Maintenance and Safety	16
Guarantee conditions.....	17
If you need further help... ..	17
Spare Parts.....	18
Customer & Installation Notes	20

**PLEASE CAREFULLY CHECK YOUR STOVE FOR DAMAGE
OR DEFECTS PRIOR TO INSTALLATION.**

**WE CAN NOT EXCHANGE DAMAGED OR FAULTY
STOVES ONCE THEY HAVE BEEN FITTED.**

Approvals

EN13240:2001 and EN13240 A2:2004

Thank you for purchasing a Burley Icarus 5 Wood Burning Stove we hope you will be delighted with the super-efficient performance.

The stove is to be operated in accordance with these operating instructions and with wood or wood-based fire logs only. It is approved for intermittent operation within smoke control areas.

The Clean Air Act 1993 and Smoke Control Areas

Under the Clean Air Act local authorities may declare the whole or part of the district of the authority to be a smoke control area. It is an offence to emit smoke from a chimney of a building, from a furnace or from any fixed boiler if located in a designated smoke control area. It is also an offence to acquire an "unauthorised fuel" for use within a smoke control area unless it is used in an "exempt" appliance ("exempted" from the controls which generally apply in the smoke control area).

The Secretary of State for Environment, Food and Rural Affairs has powers under the Act to authorise smokeless fuels or exempt appliances for use in smoke control areas in England. In Scotland and Wales this power rests with Ministers in the devolved administrations for those countries. Separate legislation, the Clean Air (Northern Ireland) Order 1981, applies in Northern Ireland. Therefore it is a requirement that fuels burnt or obtained for use in smoke control areas have been "authorised" in Regulations and that appliances used to burn solid fuel in those areas (other than "authorised" fuels) have been exempted by an Order made and signed by the Secretary of State or Minister in the devolved administrations.

Further information on the requirements of the Clean Air Act can be found here: <https://www.gov.uk/smoke-control-area-rules>

Your local authority is responsible for implementing the Clean Air Act 1993 including designation and supervision of smoke control areas and you can contact them for details of Clean Air Act requirements

The Icarus 5 (9605) been recommended as suitable for use in smoke control areas when burning wood logs.

Stove Specifications – Output and Efficiency

Maximum Efficiency 78.3%
Average Efficiency 77.7%
Nominal KW output: 5 KW

Wood Logs Results, 40 minute refuels

Parameter	Mean
Total efficiency	77.7%
Nominal heat output	5.0kW
Mean CO emission (at 13% O2)	0.09%
Mean flue gas temperature	272°C
Flue gas mass flow	5.0g/s
Mean CxHy emission (at 13% O2)	57mg/m ³
Mean NOx emission (at 13% O2)	111mg/m ³
DIN plus particulates (at 13% O2)	9mg/m ³

All efficiencies in table are Net values

All above figures using wood at 14% moisture content (these figures can vary if the moisture content is higher)

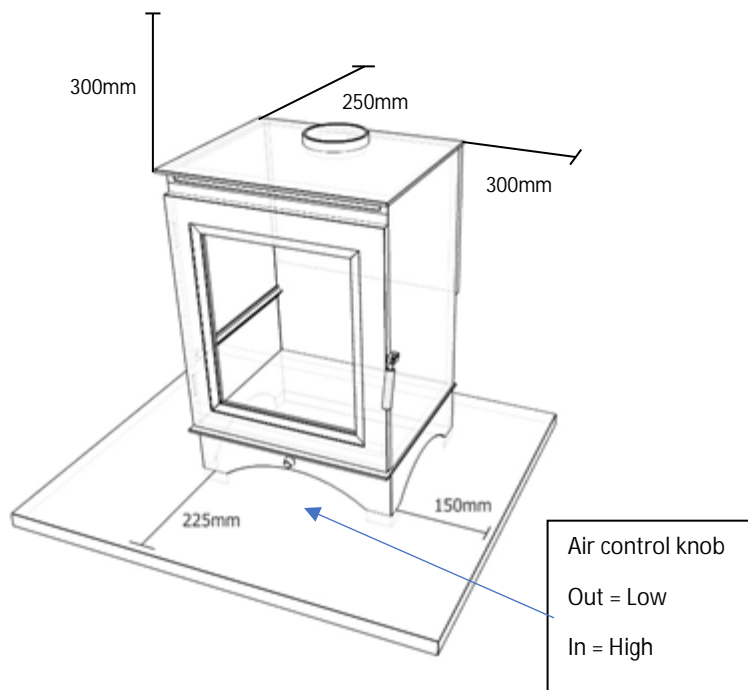
DO NOT CARRY OUT ANY WORK OR MAINTAINANCE ON THE STOVE WHEN IT IS BURNING OR WHEN IT IS STILL HOT

⚠ THE STOVE IS NOT DESIGNED TO BE USED WITH THE DOOR OPEN!

AS WITH ALL STOVES, ALWAYS FIT A CARBON MONOXIDE DETECTOR COMPLIANT WITH BS EN50291 IN THE ROOM

Clearances to Combustibles

300mm above, 250mm behind, 300mm to the sides.




Hearths

The stove requires a 12mm depth of non-combustible material placed on a floor which can support a minimum of 91kg. Minimum hearth sizes 225mm in front, 150mm to the sides.

Installation

The Icarus 5 should be installed by an installer registered with a competency scheme (i.e. HETAS/ELECSA England & Wales), conforming to Building Regulations Part J and the installation must be registered with the local council building control department. All local regulations, including those referring to national and European standards need to be complied with when installing the appliance.

 Failure to comply with the above renders all guarantees and liabilities of the manufacturer null and void.

By carefully following the instructions below you will enjoy many years of warmth and enjoyment from your new Burley Stove.

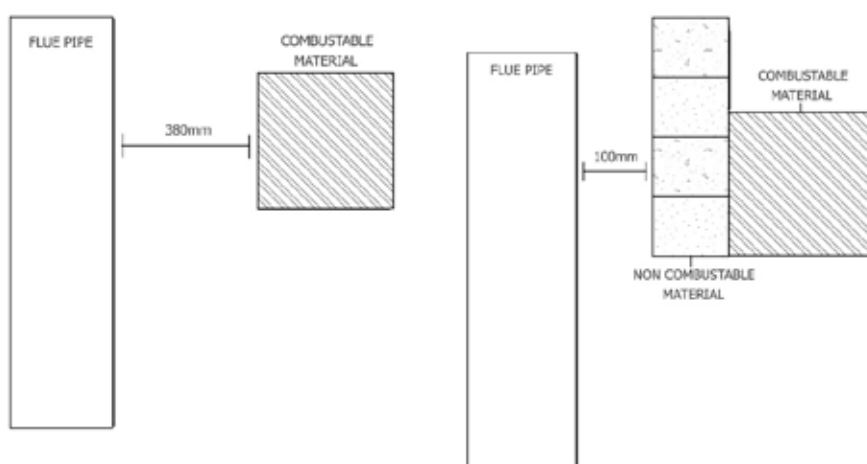
The manufacturer will not guarantee or accept liability for any problem that arises unless a local authority building control certificate has been completed and a valid receipt or proof of purchase is presented from the approved supplier.

The appliance should not be fitted closer to combustible materials, e.g. wooden fire surround or stud wall, than is shown in the table above.

When fitted against a wall made of combustible material e.g. a wooden stud wall with plasterboard, unless a 75mm thick non-combustible material is used as a barrier, extra non-combustible material should be fitted behind the stove if the distance from the wall is less than shown. When fitted inside a masonry or similar non-flammable material recess, e.g., fireplace opening, there is no minimum distance; although we would advise a minimum of 50mm from any surface to allow for convection.

Chimneys, Flues, Hearths and Surrounds

The ICARUS 5 stove is a radiant and convection stove. To ensure good heat transfer into the room if the stove is fitted into a recess, and not free standing, it is recommended a clearance of 100mm from the sides of the stove and 50mm for the rear be maintained to allow a good flow of air.



If a wooden beam is to be fitted, the distance from the rear of the beam to the flue **MUST BE** 3 times the diameter of the flue e.g. 380mm if using a 125mm flue pipe. If non-combustible material is placed between the flue and the rear of the beam this should be at least 100mm thick.

A liner should be installed. It should have a diameter of at least 125mm and are at least 3/4/5 meters in length and made of the correct solid fuel grade stainless steel.

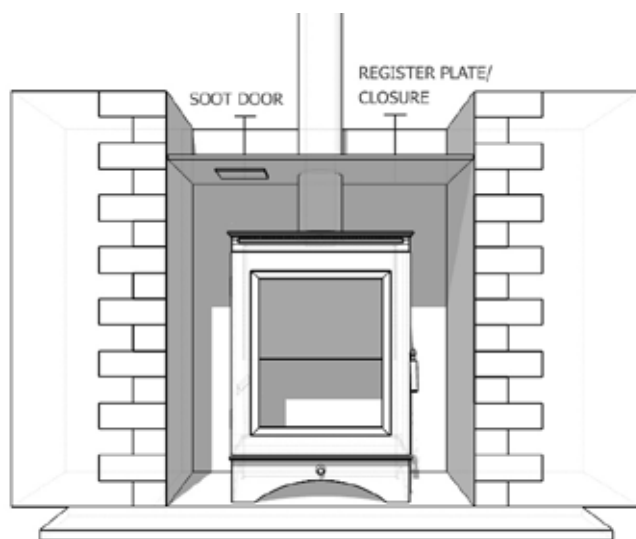
If fitted without a liner we are unable to cover under our guarantee the performance of the stove.

The flue / chimney must be swept at least one a year and if you use your stove throughout the year, sweeping twice a year is recommended.

Flue draught requirements are a minimum of 12 Pascals. If it exceeds 25 Pascals under high output firing a draught stabiliser should be fitted.

If in doubt ask your stockist or dealer.

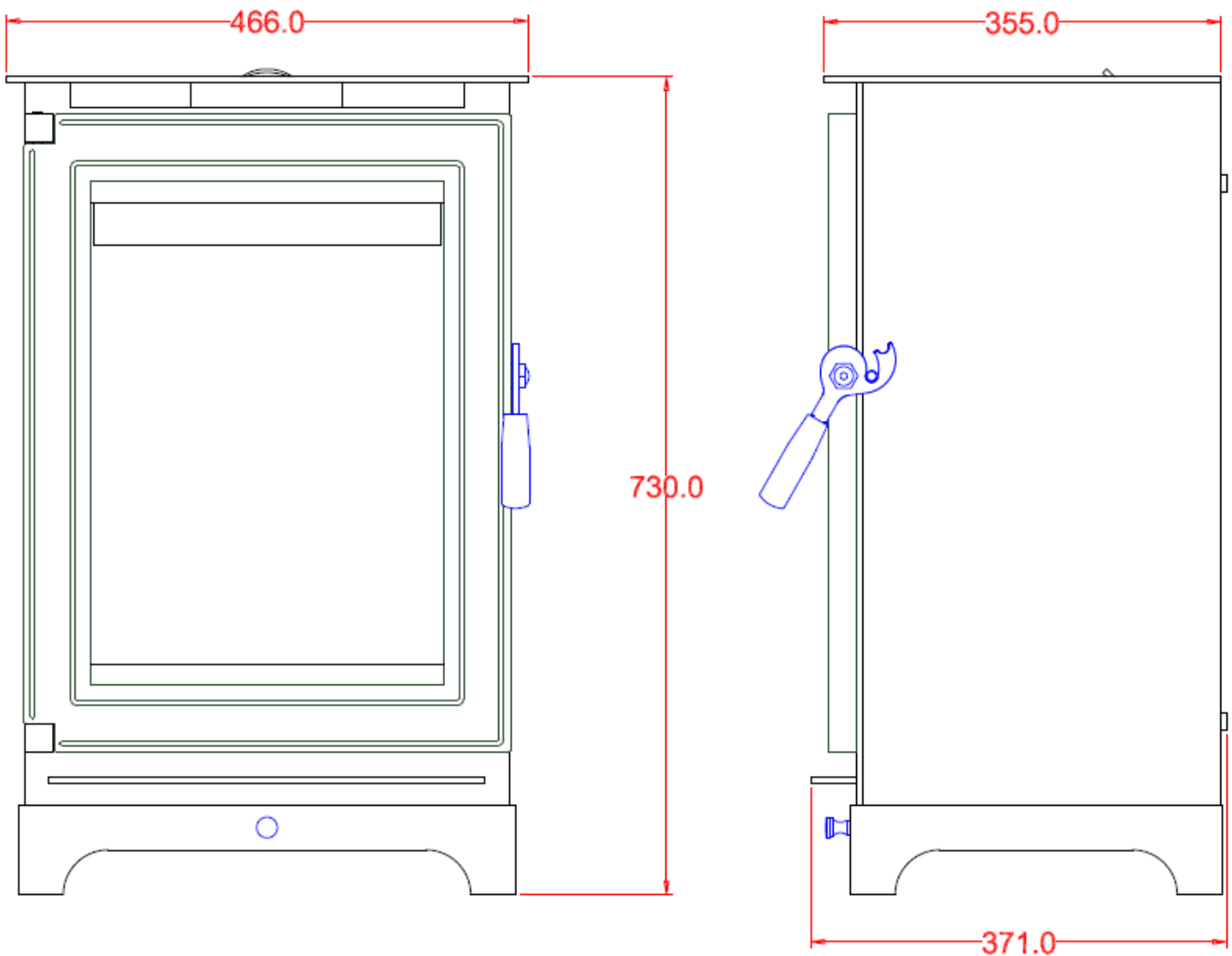
A closure plate should be fitted to ensure heat from the stove is transferred into the room. The closure plate should include a soot door to enable debris to be removed from the plate.



Ventilation

If the stove has been room sealed then no further ventilation is needed. Houses built before 2008 do not require an air vent for this stove unless draught proofing has reduced the air flow. This can be assessed by carrying out a smoke test. Houses built from 2008 onwards will need free flowing air of at least 2750mm² permanently open and venting to the outside of the property.

Dimensions



Room sealing your stove

An open chimney sucks the warm air from your room every hour, which is replaced by cold air circulating around doors and windows therefore cooling your home. The Icarus 5 has been designed to be easily room sealed which means the air for your combustion is drawn directly from outside, so more of the heat generated by your stove will stay in your home. It is recommended to room seal your stove if possible, but not essential.

The part number “ROOMSEAL/ICARUS” is for sealing through a wall behind the stove.

The ducting attaches to the bottom rear of the stove using a spigot supplied in the kit as illustrated below.



Fitted upper restrictor plate

This plate reduces the door aperture and helps prevent possible spillage of smoke when refuelling. If your flue is unaffected by down draughts and has a strong pull you may wish to remove it. To necessitate this remove the two top boards by pushing them alternatively upwards and rest them on top at the rear panel. Lift restrictor clear and replace top boards.



Fitted lower restrictor plate

The lower restrictor plate prevents ash and dust from falling out of the stove. It is possible to remove it by first taking out the two top boards. Then tilt the rear board forwards and remove it. The lower side boards can then be taken out and the plate removed. All the boards should then be replaced in reverse order take care that the back board is fully pushed down behind the base board.



Setting the minimum burn rate

As with all wood burners, the Icarus should not be fully shut down and allowed to smoulder, doing so creates smoke and coats the inside of the flue and stove with creosote. The ideal minimum setting should ensure the stove burns with a constant lazy flame, if the fire dies and relights with a pulsing flame or appears to burn above the fuel then the minimum air setting is too low.

There is a hole to the right of the air control knob with a screw behind. This screw adjusts the range of movement of the control knob for the low rate air supply. If the fire burns too vigorously when the control knob is pulled all the way out, use a No 2 Phillips screwdriver to turn the screw anti clockwise, this will let you pull the knob out a little further. If the flame is not maintaining a constant lazy flame, turn the screw clockwise.



Lighting and operating the stove

Always use the glove provided as all surfaces will get very hot. Children, pets or adults who may be at risk must always be supervised and not left with the stove. An approved fireguard must always be fitted.

The ICARUS 5 has been designed to be easy to light and operates very efficiently with minimum input from the operator. Please follow these instructions.

Please note on the first time of lighting the stove there will be an odour and there may be a haze or smoke from the curing paint. This is completely normal and it is recommended that you ventilate the room during this process. The paint will finish curing if the stove is run at the

operating temperature for approximately 2 hours, so if lit for any less than this amount of time the stove may not achieve this.

For ease of operation there is only one control on the ICARUS 5. This is the knob under the door at the front of the stove – this operates the primary, secondary and tertiary the air flow.

1. Push the air control knob fully in. Open the door and place 2-3 firelighters in the stove.
2. Place at least 15 pieces of split logs or kindling (about the thickness of your finger and at least 150mm long) onto the firelighters in a lattice pattern. Put a couple of small split logs on the kindling towards the back of the stove
3. Light the firelighters and close the door until the notch in the end of the latch is engaged with the pin on the body of the stove. This will hold the door open ajar and allow the correct air flow for the first part of the lighting process. As the kindling catches and starts burning vigorously, gradually close the door latch fully
4. If the fire stays alight, leave the door shut. If the fire starts to die down and the embers are dull, open the door and place into the latch as described in 3 above. Leave it like this for a few minutes to allow the fire to get hotter. Then shut the door completely.
5. When the fuel bed has largely burnt down, refuel by adding approximately 750g of wood every 30 minutes or so. The logs should be loaded onto the ember bed in a manner which ensures they do not fall forwards against the door. If a log does happen to fall against the door do not open the door to reposition, the log could roll out, instead allow the fire to burn down and let it go out. The maximum log size is approximately 400mm x 150mm. The number of logs will vary depending on their size. Do not over fill the stove as embers of burning wood may spill out. Shut the door fully.
6. You can regulate how vigorously the fire burns by pushing in or pulling out the lever. The air should NOT be shut right down allowing

the stove to smoulder, to prevent this there is a smoke control screw which your fitter should have set (see page 10-11).

7. Allow the logs to burn down until you just have red embers and little or no flame. When adding new fuel, have the logs ready, and have the door open for as little time as possible to retain the heat in the stove. Open the door slowly then add 1-3 logs. If the logs have not shown any signs of lighting after a minute, open the air control fully and allow the logs to catch light. Repeat until you no longer wish to run the stove & allow the fuel to burn out.
8. Do not try to smother the fuel – this will cause soot to deposit inside the stove and flue liner, and is bad for the environment.

Load times will vary depending on the type of wood, its moisture content, and the amount of wood you load each time.

Never overload the stove. Place the minimum amount of wood needed to maintain a comfortable room temperature and a clean burn. Add little and often.

Never shut the stove down until the fuel is well alight and has been burning for at least 30 minutes.

Never attempt to shut the stove down to keep the fire on overnight.

When the fire has burnt down leaving just embers and you no longer wish to use it, open the air control fully.

Maintenance and Upkeep

EXCEPT FOR BASIC CLEANING, MAINTENANCE SHOULD ONLY BE CARRIED OUT BY QUALIFIED INDIVIDUALS.

MAKE SURE THE STOVE IS FULLY COLD BEFORE CARRYING OUT ANY MAINTENANCE

The ICARUS 5 is lined with vermiculite boarding which has a high resistance to heat. If the logs are thrown in rather than placed, then the boards may crack. It is very important to replace any broken linings as this will have an effect on the stove body temperature which may cause damage. If good maintenance of the stove is not adhered to, then this may not be covered under the guarantee. Small dents and scrapes are ok but cracks and missing parts are not.

Door Adjustment

The door hinges have an eccentric pin which can be turned to adjust how tightly the door is held against the stove body. These can be reached by first removing the locking grub screws using the 5mm hexagon key provided. (See picture)



Sweeping the Chimney

Open the door and push up the top vermiculite boards, one at a time from the centre of the stove until the baffle comes away from the side lining of the stove. Support the boards and lower it down into from the side boards for the second board.

Once the top board has been removed the side and rear boards can be removed. There is now unrestricted access to the flue pipe through the top of the stove.

Ash Removal

Wood burns best on a bed of ash, so, except when the stove is new, always leave approximately 20mm of ash in the bottom of the stove. Empty your ash when it is about 40mm deep, leaving the bed of 20mm. Always ensure the ash bed is at least 30mm below the front lip of the combustion box to prevent logs from rolling out forwards.

Do not compress ash in the stove – this will not allow it to burn, and will result in throwing away fuel.

When the stove is going to be left for long periods of time it is advisable to empty the stove of all ash and leave the air control fully open to allow air to circulate.

Cleaning the Stove Body

Clean the body of the stove with a dry cloth or clean, soft brush. Do not rub the stove hard or with an abrasive substance as it will mark the paint.

Care of Glass

The first few firings will cure the paint and we recommend that you clean the glass after this has happened. This will ensure that there are no contaminants on the glass to attract further staining. After a time the glass does deteriorate but to prolong the life:

- Clean the glass each time before re-lighting, this prevents fly-ash from being fired onto the glass
- Clean glass with a ceramic glass cleaner

- If necessary, remove fired on stains with clean wire wool (not a 'brillo' type pad) every time before lighting.
- Ensure all glass cleaner is removed from glass before firing
- Do not over aerate the stove as this can cause fly ash to stick.
- Only add logs at the back of the stove.
- Most deposits burn off when the stove is very hot.
- Do not over load the stove or try and keep it in overnight. Add a little wood often.

The most common cause for glass to blacken is running the stove on wet wood or allowing the stove to smoulder with too little air.

Maintenance and Safety

DO NOT run the stove with broken glass or if the rope seal on the door is damaged. This will cause the stove to over- burn and may damage the stove and can cause a chimney fire.

DO NOT use your stove as an incinerator for rubbish. Only burn clean wood or wood – based products at 20% moisture or below.

DO NOT run the stove with the door open for extended periods. Only keep the door open during the lighting stage

DO NOT use an extractor fan in the same room as the appliance.

DO NOT FORGET to have your chimney swept at least once a year by a qualified chimney sweep.

If your chimney catches fire, shut down all air vents. Leave your house and call 999 immediately.

If your Carbon Monoxide detector goes off, open the doors and windows then evacuate the room. Do not re – enter the room or house until the fire has gone out and/or the alarm has stopped. Then contact a chimney sweep or engineer to check the installation before using again.

NEVER share flues with this stove.

Guarantee conditions

The stove is covered by a three year metalwork warranty. **(This is subject to the correct fuel having been used and not overloading or over aerating the stove.)**

The three year warranty covers the stove body only and does not include consumable items such as grates, firebricks, vermiculite panels, baffles, log guards, door rope and glass. The guarantee covers parts only, labour costs are not included.

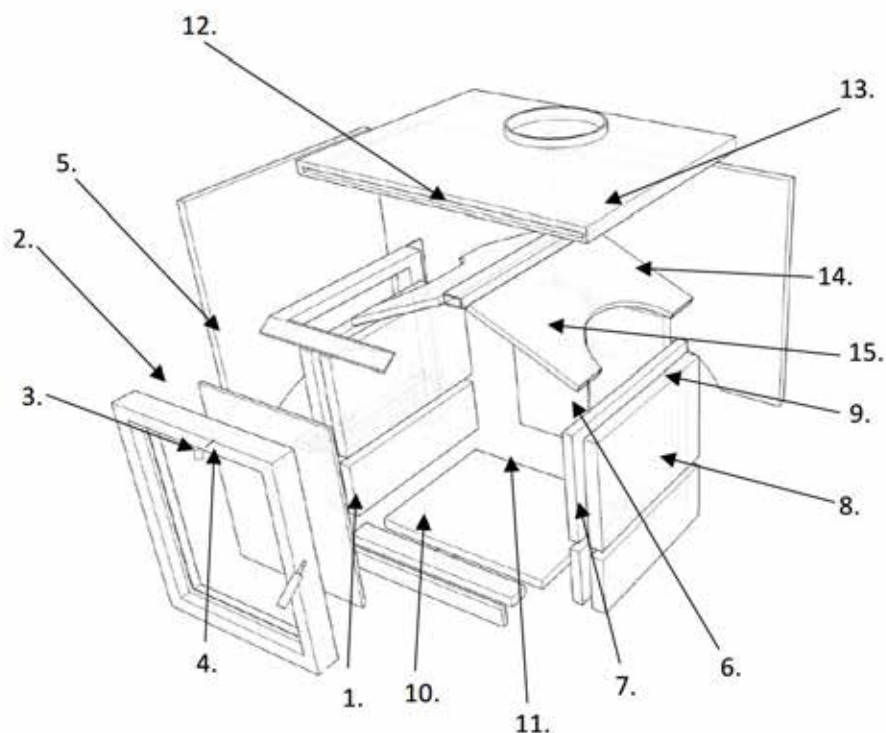
Any warranty claims should be addressed to your original supplier and accompanied with the date of purchase and serial number of the appliance.

If you need further help...

If you need further help with your Burley Stove then the first point of contact should be your installer, who will be able to provide the answers to most questions.

Your Burley retailer also has a great deal of experience and will also be able to provide helpful advice. Further help is available from Burley's Customer Services department who will be pleased to give advice, if necessary.

Spare Parts



Key to Components

1	Door rope seal
2	Glass rope seal
3	Glass securing bracket
4	Glass securing screws
5	Glass
6	R/H 25mm fireboard top (6a L/H)
7	R/H 25mm fireboard bottom (7a L/H)
8	R/H 25mm fireboard bottom (8a L/H)
9	R/H 25mm fireboard top (9a L/H)
10	Lower restrictor plate
11	25mm fireboard base
12	L/H 25mm top baffle
13	Top
14	R/H 25mm rear fireboard
15	R/H 25mm top baffle

Customer & Installation Notes

Date of Installation:	
-----------------------	--

Installer Name & contact details

Chimney Swept By:	Date

Notes:



Made in the UK



Burley Appliances Limited

Lands' End Way
Oakham
Rutland
LE15 6RB
United Kingdom

Further information can be found at:

burley.co.uk/category/wood-burning-stoves/

Email: sales@burley.co.uk

Phone: 01572 756956

Fax: 01572 724390