

Installation Instructions & User Manual

for the super-efficient

burley  **Firecube**

Wood Burning Stoves

Model

9050


Wood Burning Stove

Applicable Appliance: Coppice 9050

Document reference BUR/03/17 Revision date: MARCH 2017

**THESE INSTRUCTIONS MUST BE LEFT WITH THE USER
FOR FUTURE REFERENCE**

Table of Contents

Approvals	4
TECHNICAL DATA	5
Stove Dimensions.....	6
Installation Instructions.....	7
The Clean Air Act 1993 and Smoke Control Areas	7
Chimneys, Flues, Hearths and Surrounds.....	8
Air Supply and Room Sealing Kit.....	9
9050 Inset Stove – Fitting Overview.....	10
Installation Video here http://tinyurl.com/j4ouqh3	10
Door Handle Assembly.....	11
Assembly and Installation of the Stove Fire Bricks.....	12
Fitting of Stove Bricks.....	12
Log Retaining Bar	12
Commissioning the Appliance.....	13
USER INSTRUCTIONS	13
To Light the Stove.....	13
Using the Moisture Meter	14
 Stove Thermometers - DO NOT USE WITH OUR STOVES	14
Troubleshooting/Poor Appliance Operation.....	15
Reasons for Premature Wear of Internal Parts.....	15
Care of Glass.....	16
Chimney Sweeping and Maintenance	16
Safety	17
Warranty	17
If you need further help.....	18
Spare Parts.....	18
Customer & Installation Notes.....	20

**PLEASE CAREFULLY CHECK YOUR STOVE FOR DAMAGE
OR DEFECTS PRIOR TO FITTING.**

**WE CAN NOT EXCHANGE DAMAGED OR FAULTY
STOVES THAT HAVE BEEN FITTED.**

Thank You

Thank you for purchasing a Burley Fireball Wood Burning Stove; we hope you will be delighted with the super-efficient performance.



Picture is for illustrative purposes only

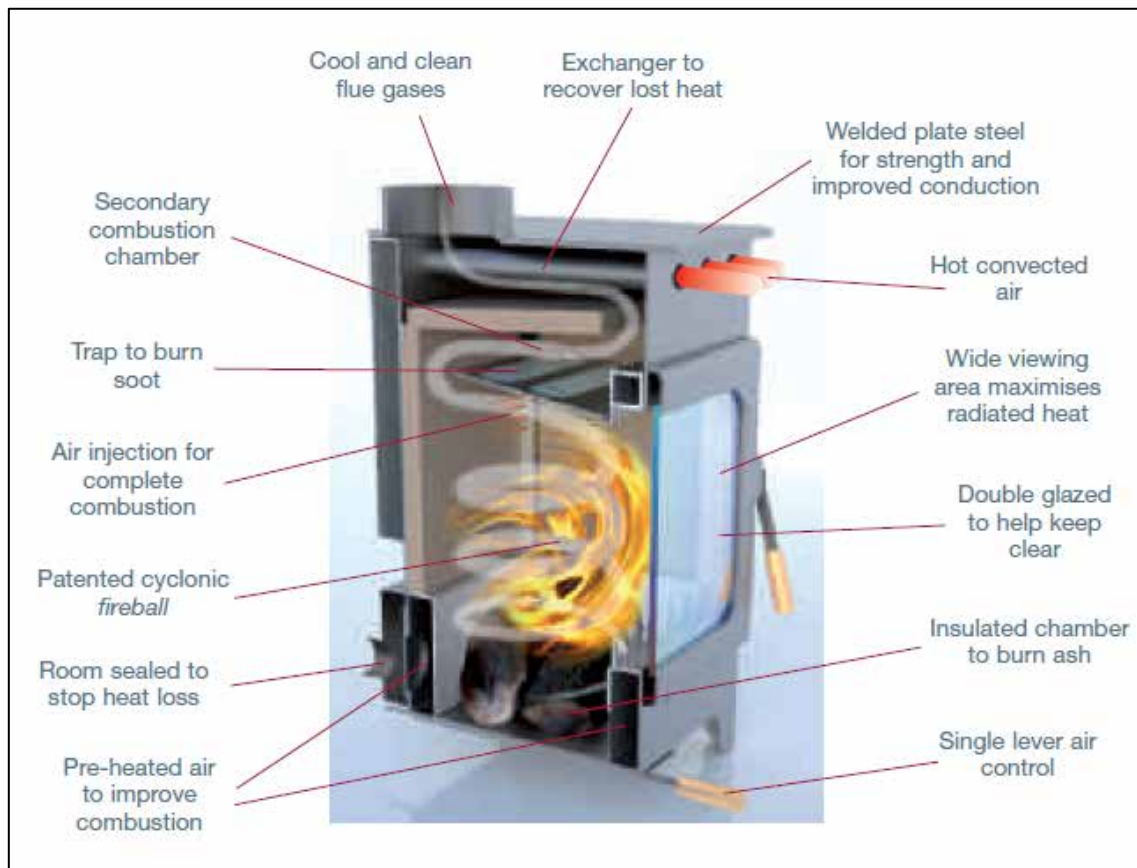
Included with your stove is the Burley 'Thank You Kit'*, which typically contains:-

- A Moisture Meter to ensure your wood is dry
- Glass Cleaner
- Stove Paint in case you prefer black handles or ever need to touch up any paint work
- A Heat Resistant Glove
- Scoop for removing ash
- A Mug to enjoy a cup of tea whilst admiring the fantastic flame picture

The contents of the kits vary from model to model, so not all the items listed or shown above may be included with your stove.

*Thank You Kit introduced with stoves supplied from October 2013

Features...



Cross Section – Artist Impression

**The *Fireballs* are the world's most efficient stoves,
Please read all these instructions to make the most of it.**

Approvals

All our wood stoves are approved to EN13240:2001 and EN13240 A2:2004.

TECHNICAL DATA

All built to EN13240	Coppice 9050
Efficiency (Net)	86.1%
CO concentration @ 13% Oxygen	0.19%
Requirement of fuels used in smoke control areas	Dry logs <20% H ₂ O
	Maximum length 200 – 250mm long
	Maximum width 150mm
Lower quality fuel can be used in non-smoke controlled areas, but will not give the best efficiencies	Dry Logs < 25% H ₂ O
	250mm long
Weight in kg	75 kg
Nominal kW output	5 kW
Max kW output	6.4 kW
Air vent requirement.	Not Required
Minimum flue draught mm H ₂ O	0.5mm
Flue gas temperature	203 °C
Spigot Temp.	Above 200°C
Flue size (Top Exit)	127mm (5")
Min. chimney diameter	127mm (5")
Best chimney diameter	127mm (5")
Minimum distance to combustible materials. All other distance as per Building regulations Part J or HETAS recommendations	5cm behind (2") 5cm at side (2") 35cm to top (14")
Non combustibles	<i>When fitted inside a masonry or similar non-flammable material recess, e.g., fireplace opening, there is no minimum distance</i> .
Max Hearth temp.	<100 °C
Min Hearth thickness	12mm

Stove Dimensions

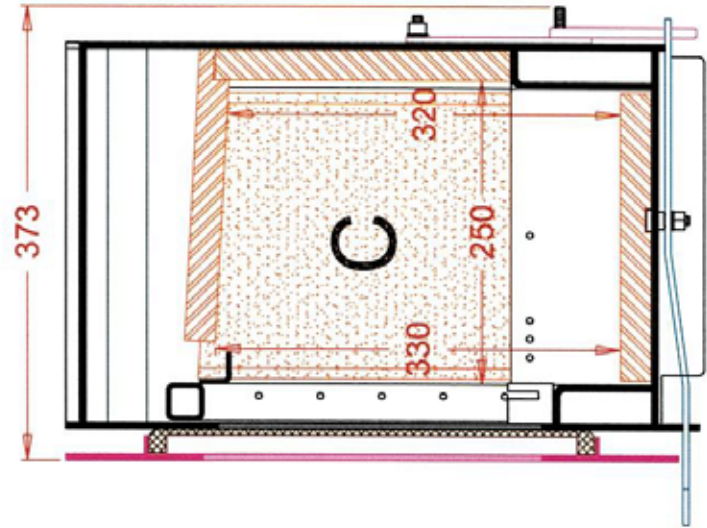
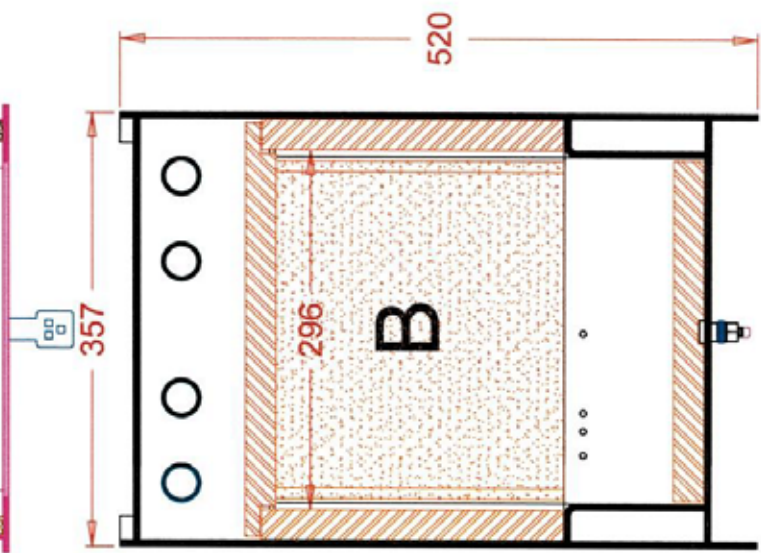
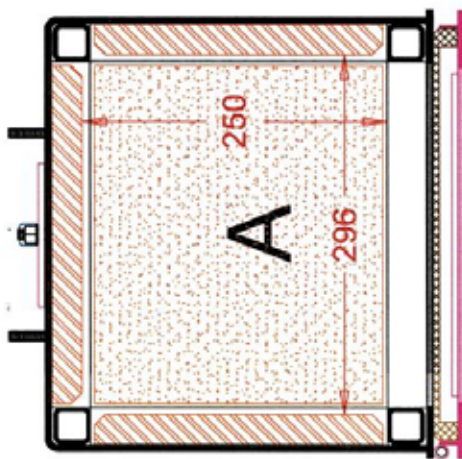
Coppice 9050

Sectional Views Of Combustion Chamber
Of Burley's "9050" Stove

A = Horizontal Section (Looking Down)

B = Vertical Section (Looking From Front)

C = Vertical Section (Looking From RHS)



Installation Instructions

When installing these appliances, all local regulations including those referring to national and European Standards need to be complied with.

This manual covers the appliances: Burley Model: 9050 Inset Stove

The nominal space heating output is: **5Kw**

This appliance must be installed by an installer registered with a competency scheme (i.e. HETAS/ELECSA England & Wales), conforming to Building Regulations Part J and the installation must be registered with the local council building control department.



Failure to comply with the above renders all guarantees and liabilities of the manufacturer null and void.

By carefully following the instructions below we are certain that you will enjoy many years of warmth and enjoyment from your new Burley Fireball Stove.

The manufacturer will not guarantee or accept liability for any problem that arises unless a local authority building control certificate has been completed and a valid receipt or proof of purchase is presented from the approved supplier.

The appliances should not be fitted closer to combustible materials, e.g. wooden fire surround or stud wall, than is shown in the table on page 5. Walls above the fire can get to 150°C

Each installation is unique to the property so it is not possible to give details to suit every setting.

The installation must comply with Building Regulations and be made using "best practice" construction methods. Many fireplace openings have a supporting lintel. Do not remove without supporting the remaining structure of the building. Do not support the structure with the appliance or the flue system.

The Clean Air Act 1993 and Smoke Control Areas

Under the Clean Air Act local authorities may declare the whole or part of the district of the authority to be a smoke control area. It is an offence to emit smoke from a chimney of a building, from a furnace or from any fixed boiler if located in a designated smoke control area. It is also an offence to acquire an "unauthorised fuel" for use within a smoke control area unless it is used in an "exempt" appliance ("exempted" from the controls which generally apply in the smoke control area).

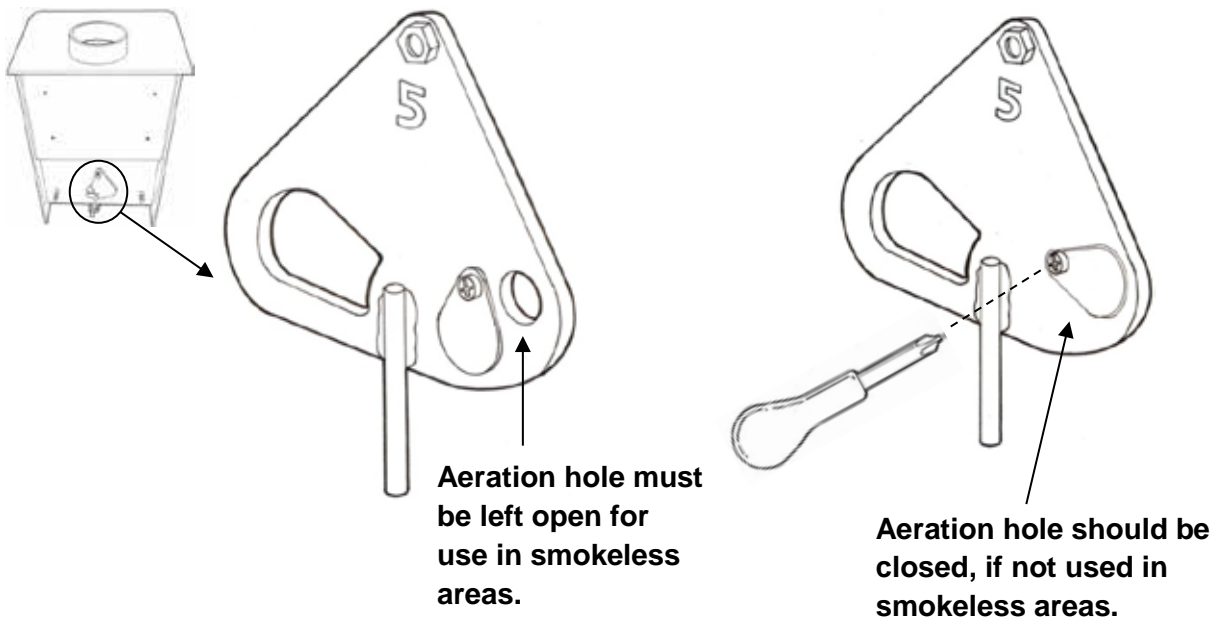
The Secretary of State for Environment, Food and Rural Affairs has powers under the Act to authorise smokeless fuels or exempt appliances for use in smoke control areas in England. In Scotland and Wales this power rests with Ministers in the devolved administrations for those countries. Separate legislation, the Clean Air (Northern Ireland) Order 1981, applies in Northern Ireland. Therefore it is a requirement that fuels burnt or obtained for use in smoke control areas have been "authorised" in Regulations and that appliances used to burn solid fuel in those areas (other than "authorised" fuels) have been exempted by an Order made and signed by the Secretary of State or Minister in the devolved administrations.

Further information on the requirements of the Clean Air Act can be found here:

<https://www.gov.uk/smoke-control-area-rules>

Your local authority is responsible for implementing the Clean Air Act 1993 including designation and supervision of smoke control areas and you can contact them for details of Clean Air Act requirements

The 9050 has been recommended as suitable for use in smoke control areas when burning wood logs.



Chimneys, Flues, Hearths and Surrounds

Chimneys

The **9050** requires a minimum chimney flue of 5" (125mm). All chimneys/flues must be a minimum length of 4 metres and must comply with Building Regulations J. Never share the flue with another appliance.

If flue and chimney are not to these specifications there could be insufficient draw to pull oxygen through the appliance to make it burn properly. Due to the low temperature of the exiting flue gases we recommend that the flue is lined to the diameter specified in the table on page 5.

Larger flues over 200mm particularly ones containing voids may affect appliance performance. We specify particular size flues for efficient operation of our stoves.

If you live in a valley or are surrounded by tall trees or buildings you might experience downdraught problems where the wind tries to stop the fumes rising up the chimney. An anti-downdraught cowl might help, but anti-downdraught cowls reduce the draw.

We recommend you seek the advice of a HETAS (0845 634 5626) or NACE (01526 322 555) registered supplier and installer before purchasing any stove or heating appliance. It may be wise to contact your local chimney sweep before the stove is installed.

Hearths

The stove must stand on a non-combustible surface. Installation standards dictate that hearths must be at least 12mm thick, but installers must take into account the weight of the stove on such thin material. The hearth should extend a minimum of 225mm in front of the stove. When a stove is freestanding the hearth should always extend a minimum of 150mm either side of the stove.



Strength and heat resistance of the hearth.

Stoves are very heavy and most materials used for hearths crack very easily. It is impossible for Burley to inspect each hearth or comment on every installation, so the onus is on the installer to ensure the construction of the hearth is suitable for the application. Slate hearths can be particularly fragile. If in any doubt we recommend sliding a piece of vermiculite or calcium silicate insulation beneath the stove to protect it from the heat.

As guidance however:

- Do not use boxed and lipped hearths.
- Avoid marble, conglomerate or micro marble hearths.
- Rather than using one large piece of material, use sectional hearths or slabs which will move independently and allow for expansion due to heat. Should a slab section crack it is then easier and cheaper to replace.
- Bed hearths down on a level base, not directly on a hard surface which could be uneven.
- If necessary stand the stove on a steel or stone bed to ensure the weight is distributed.
- Do not subject the hearth to sudden impacts by dropping the stove. The stove is heavy and it is strongly recommended that lifting is undertaken by two people.

Surrounds



Must be capable of withstanding the temperature produced by the stove and comply with the minimum distances to combustibles.

Air Supply and Room Sealing Kit

All hydrocarbon burning appliances require an oxygen/air supply.

If the stove is to be fitted on an external wall the air supply can be taken straight from the outside by using the 9050 room sealing kit. A 100mm diameter hole needs to be drilled in the correct place (to take the 86mm external (80mm internal) duct as supplied. This will allow for easy connection. Any gap can be filled in with cement or mastic.

- A proprietary grille is supplied with the kit.

The room sealing method of supplying air is always to be preferred as heat loss from the room will be greatly reduced.

If the stove is not on an outside wall the sealing kit cannot be used.

Only permanently open vents can be used and consideration should be given to draught when the stove is not in use, therefore site this vent carefully. The vent covers should comply with Building Regulations Part J and should be sited where they cannot be blocked.



WARNING

The Burley Fireball series of stoves are primarily for burning wood (this includes logs and sawdust briquettes). In smoke control areas only wood fuels should be used.

Before purchasing a stove we would strongly advise you to seek the advice from one of our retailers or a HETAS installer to ensure suitability of the product for your home.

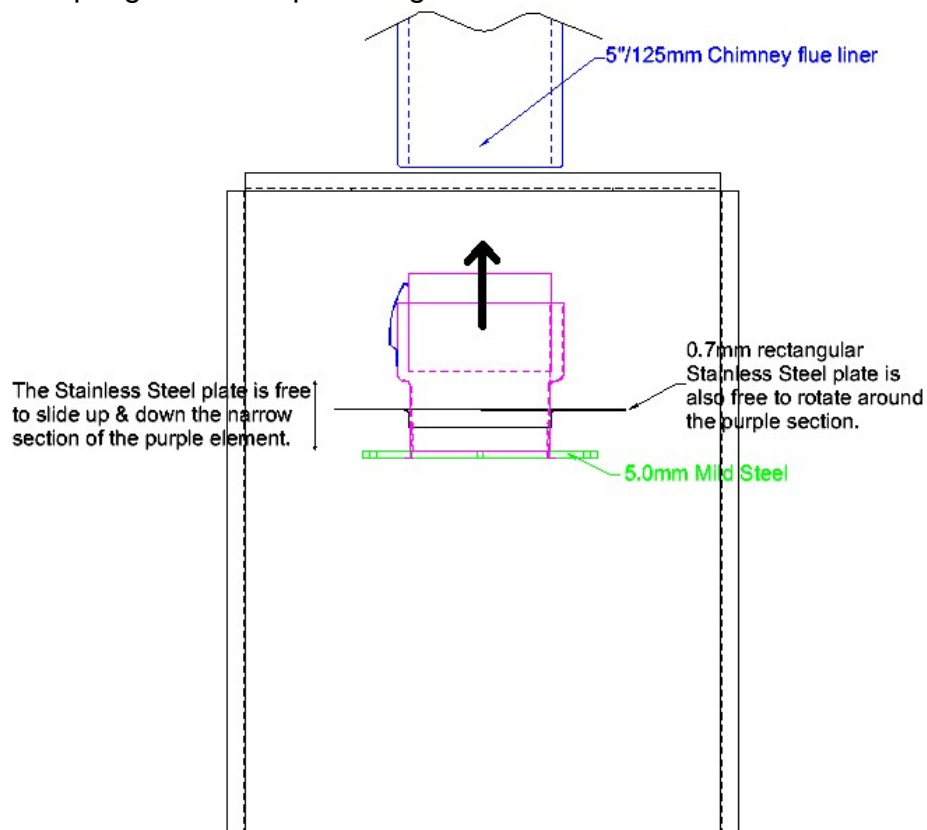
Under no circumstances should liquid fuels be added. It is not an incinerator and rubbish, including painted or tanned wood and MDF, should not be burnt in this appliance, doing so is potentially dangerous and will invalidate any guarantees immediately.

9050 Inset Stove – Fitting Overview.

Installation Video here <http://tinyurl.com/j4ouqh3>

Each installation is unique to the property so it is not possible to give details to suit every setting. The installation must comply with Building Regulations and be made using "best practice" construction methods. Many fireplace openings have a supporting lintel. Do not remove without supporting the remaining structure of the building. Do not support the structure with the appliance or the flue system.

1. Fit the 5"/125 stainless steel flue liner into the chimney.
2. Position the liner box into the cavity with the bottom of the flue liner positioned centrally in the large square hole in the top of the liner box.
3. Attach the coupling of the adapter flange onto the flue liner from inside the liner box.



4. Screw the rectangular thin stainless steel section of the adapter to the inside of the top face of the liner box using the 8 @ No 8 x 1/2" blunt-nosed self-tapping screws supplied.
5. Fix the liner box into position in the cavity.
6. Smear a thin layer of fire cement on the lower face of the 5mm mild steel plate.
7. Use the supplied strip of bent steel, raise up the 5mm mild steel disc of the flange adapter to give clearance so that you can slide the stove into the liner box. Withdraw the tool so that the flange adapter plate can drop onto the top of the stove.
8. Working from inside the stove, turn the adaptor plate so the flat edge is to the front, then using the 4 @ M6 bolts supplied screw through the top of the stove and into the mild steel plate.
9. From inside, smooth some fire cement in the gap between top of the stove and the mild steel plate to ensure a continuous air-tight seal.

Door Handle Assembly

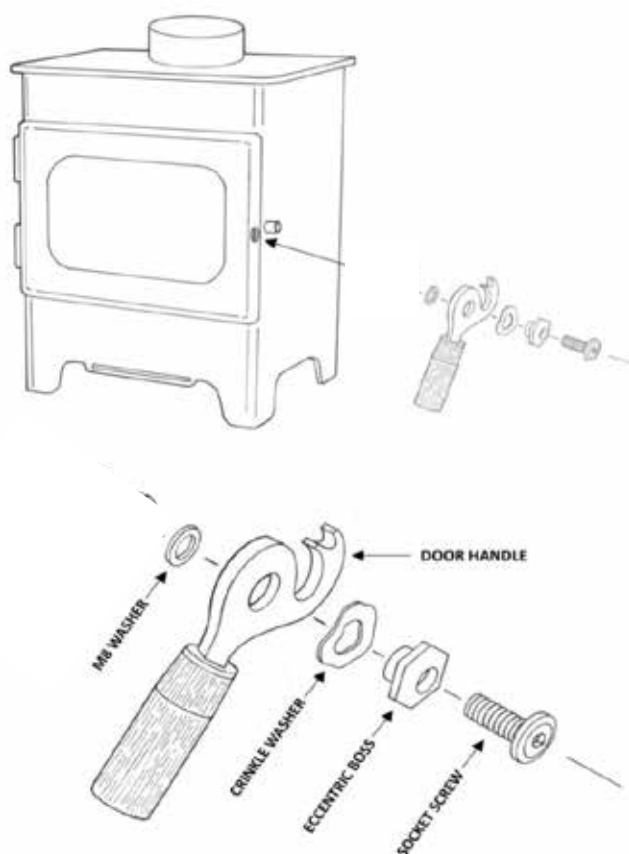
Door Handle Adjustment

There is a CAM and LOBE mechanism which allows the handle to be moved up and down or in and out. If required, adjust the handle so it lines up and engages correctly with the stud in the side of the stove. Incorrect alignment will put excessive force on the door hinges and may result in a poor seal between the door and the stove. The door may require adjustment as the rope seal compresses. A 5mm Allen key will be required.

The Door handle is pre-assembled and fitted to your stove so usually will not need adjustment. The information below is for reference only.

The door handle and parts must be fitted as per the assembly diagram below. (Please note it is very important to fit the parts in the correct sequence).

The socket screw may be tightened up using the Allen key provided in the 'thank you' kit.



Air Lever Assembly

The air lever is factory fitted

Levers and Handles

Please ensure that all levers and handles move correctly prior to positioning the stove in the opening or on the hearth. Adjustment may prove difficult once the stove is positioned.

Assembly and Installation of the Stove Fire Bricks

Having positioned your Burley stove and connected it to a chimney with flue pipe, you need to assemble the inside parts.

There are four internal components: top brick, two side cheeks, and a rear brick.

Fitting of Stove Bricks

To fit the vermiculite bricks:

Place the left side in so the longer edge is at the front and the shorter edge at the rear.

Put the top brick in the stove so the rounded edges are at the back and the flat surface is up. The top brick should stay in place by resting it on the side brick and the top of the square metal tubes.

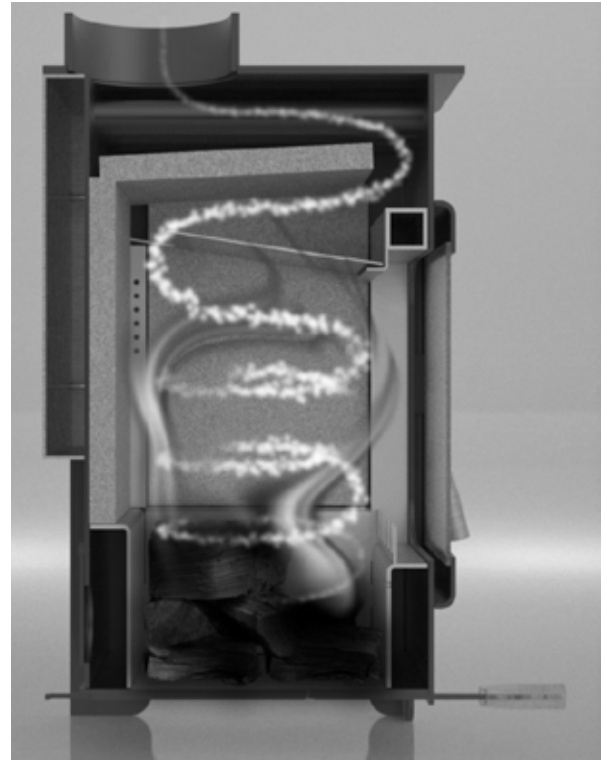
Place the right side in so the longer edge is at the front

Place the back in.

Slide the top brick backwards so the lip sits over the back and side bricks, keeping them in place and ensuring there is no gap at the back.

The base brick should already be fitted. If it is removed and needs to be refitted please ensure that the small circular cut-out (if present) is on the underside.

Note - On model 9050, due to the small amount of space, there is no steel baffle place



Log Retaining Bar

Fit the log retaining bar so the angled return is pointing into the stove. This will help to keep the glass clean.

The log retaining bar in the 9050 inset range of stoves is not castellated – flat edge.




Commissioning the Appliance

On completion of the installation, when any fire cement or paint used has dried, a smoke 'bomb' should be burnt and all joints checked for smoke leakage and the chimney draw checked with all doors and windows closed. Please leave the instructions with the customer and inform them;-

The first time the stove is lit only a small fire should be used to allow the paint to cure properly. **Ventilate the room well as the fumes can be pungent.** Use a small amount of kindling to start the fire. If possible leave the door on the catch, although the fire looks fierce it is comparatively cool due to all the air being drawn in. Add a little more kindling as it burns down. When you have a small bed of embers place a small split log in the fire, allow it to catch well, and then close the door with the lever to the right. Stay with the fire during this process. When this first log is burning down add another log, when this one is burning well you should be able to move the lever midway to the centre. Keep feeding the stove for three hours with a small split log as it burns low.

When you need to remove some ash wait until it is cold and then take some out using the scoop provided. Always leave an approximate minimum depth of $\frac{3}{4}$ " (20mm) of wood ash so you have a nice bed for your next fire.

 Take care when finishing the chimney breast and surrounding area. The conducted and convected heat emitted by the appliance could be high enough to crack normal plaster. Use a high temperature plaster, or face the area with a suitable high temperature plasterboard avoiding any joints above the appliance. New plaster should be fully dried before the appliance is used, or cracking could occur.

The structure of the builders opening will reach high temperatures. Use insulating blockwork to reduce the heat transfer to the external walls.

USER INSTRUCTIONS

To Light the Stove

It is important to keep an approximate minimum depth of $\frac{3}{4}$ " (20mm) of wood ash in the fire box at any time. You will achieve this after the first few firings.

Place 1 or 2 firelighters in the bottom, then add some kindling wood criss-crossed, and finally a small split log on top. Light the firelighters, open the air vent to maximum (to the right) and close the door to the first latch so there is an air gap around it.

Leave it like this for around five minutes or so, the fire should be well alight and the door can now be closed. Leave the air control lever to the right for a further 10 to 20 minutes to get the stove completely up to running temperature. If the stove does go out when the door is closed then the flue is still too cold and will not pull, in this case open the handle a little so the door is not airtight, then close it again after a few minutes when more heat is in the fire. The flues pull will change dependant on temperature and atmospheric conditions.

The best lever position, to achieve maximum efficiency, will depend on the chimney draw, but will normally be near the centre. Every chimney is different, and you will eventually find your stove's optimum position. This is when the flames are swirling in a lazy manner around the stove, not roaring. If the lever is pushed too far to the left, you starve the fire of oxygen, causing the glass to darken. Move the lever a small amount to the right until the glass just stays clean. We do not recommend use of a stove thermometer – the high efficiency of the stove means flue gases are cool and would give an inaccurate reading, leading to over firing and damage to internal components. The best way to run any wood stove is 'little and often'. If you are with the fire, it is best to keep adding a small log every 45 minutes rather than adding large ones every 2 hours.

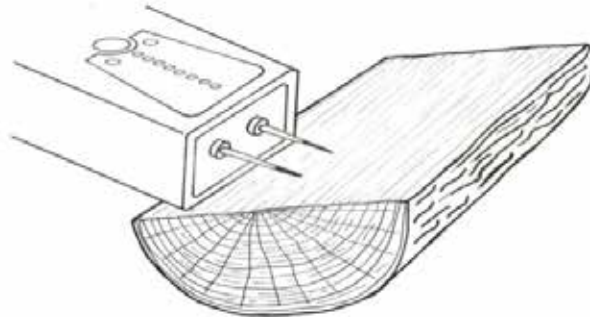


THE STOVE IS NOT DESIGNED TO BE USED WITH THE DOOR OPEN!

To reload, wearing the glove, open the door slowly to allow the pressure to equalise. Place the fresh log towards the rear of the appliance. Close the door.

Do not over load the stove with wood and close the damper down, this produces lots of creosote and blackens the glass

Using the Moisture Meter



For the stove to operate at maximum efficiency the wood should be as dry as possible, certainly below 18%. Burning damp or wet wood will not only stop the stove working efficiently, but also create excess smoke and stain the glass.

Remove the plastic cap covering the two contact pins. The pins are sharp for a reason, so please use it carefully. Push the pins into the **inner surface** of the split log (5mm as a guide) this will give an accurate reading.

Simply putting the contact pins onto the surface will not give an accurate reading, as it may tell you that the surface is dry whilst the interior of the log may well be damp.



Stove Thermometers - DO NOT USE WITH OUR STOVES

We receive a very small number of calls from customers who have managed to damage their stoves from over-firing, in almost all cases they have a thermometer fitted to their flue.







The Fireballs are the world's most efficient stove because firstly, due to the unique method of introducing air, the wood is burnt completely in the combustion chamber without flames and heat going up the chimney, and secondly, the heat is extracted from the combusted gasses to heat the room before it enters the flue.

On the 9050, the gases have been cooled to just 203°C, far below what the stove thermometer will measure. Because the thermometer is not 'in the green', you think that the stove is not operating efficiently, so load the chamber with wood and have the air wide open.

This creates such an inferno that occasionally the ceramic glass can frost (something even the windows on the space shuttle could not achieve during re-entry)

The **ONLY** thing that a stove thermometer shows is that you have an inefficient stove and are losing a lot of heat up the flue, not a great deal of use really.

Troubleshooting/Poor Appliance Operation

	Refuelling onto a low fire bed	<p>If there is insufficient burning material in the firebed to light a new fuel charge, excessive smoke emission can occur. Refuelling must be carried out onto a sufficient quantity of glowing embers and ash that the new fuel charge will ignite in a reasonable period. If there are too few embers in the fire bed, add suitable kindling to prevent excessive smoke</p>
	Air damper left fully open	<p>Operation with the air controls or appliance dampers open can cause excess smoke. The appliance must not be operated with air controls, appliance dampers or door left open except as directed in the instructions. Although the fire will look impressive, you will be burning more wood for less heat. The glass can also be damaged.</p>
	Leaving door open	<p>Operation with the door open can cause excess smoke and be a potential fire hazard. The appliance must not be operated with the appliance door left open except as directed in the instructions.</p>
	Overloading the fire bed	<p>The maximum amount of fuel specified in this manual should not be exceeded. The weight of dry wood per hour is: 1.3kg for the 9050. Overloading can damage components of the stove. The stove is not designed for overnight operation.</p>
	Substantial Smoke Emission	<p>If substantial smoke emission is observed from the appliance at any time during the operation of the appliance the operator should ensure they are following the operation instructions and using <u>suitable</u> fuel. The flue may not be pulling as it is too cold or incorrectly specified/installed. There might be a down draught. Check that the top brick is at the back of the fire.</p>
	Door Adjustment	<p>The locking mechanism on the door is made up of a cam and lobe assembly. The door can be loosened or tightened with an Allen key (see page 10). The door will need to be adjusted over time as the rope seal compresses.</p>

Reasons for Premature Wear of Internal Parts

- Stove being used/fired too vigorously
- Too little air passing through the stove
- Use of excessively dry wood (wood from old furniture)
- Excessive debris collection on inner fireback
- Ash level too high in the ash pan (over 3/4")
- Overnight burning
- Use of a stove or flue thermometer

Care of Glass

The first few firings will cure the paint and we recommend that you clean the glass after this has happened. This will ensure that there are no contaminants on the glass to attract further staining. After a time the glass does deteriorate but to prolong the life:

- Clean the glass every time before re-lighting, this prevents fly-ash from being fired onto the glass
- Clean glass with a ceramic glass cleaner
- If necessary, remove fired on stains with clean wire wool (not a 'brillo' type pad) every time before lighting
- Ensure all glass cleaner is removed from glass before firing
- Do not over aerate the stove as this can cause fly ash to stick.
- Do not run for long periods with the lever to the right
- Only add logs at the back of the stove
- Make sure the log retainer points into the stove
- Most deposits burn off when the stove is very hot, this is with the lever roughly in the middle
- Do not over load the stove or try and keep it in overnight. Add a little wood often.

The door is double glazed. Check the rope seals and screws regularly to ensure a long life.



Take care when removing glass clip screws or they could shear



Do not use with broken glass



Do not over tighten the glass clips as this could cause the internal glass to crack.



Only clean the glass when it is cold.

Chimney Sweeping and Maintenance

It may be wise to contact your local chimney sweep before the stove is installed. Your chimney should be swept at least once a year by a registered sweep, twice a year with heavy use. The sweep should also replace the fire cement at the base of the flue if necessary.

- The chimney can be swept through the stove.
- Unless advised by Burley the stove should not be used with any internal board missing.
- All rope and glass seals should be checked annually and replaced as necessary.

If the stove has not been used for a prolonged period, in excess of 6 months, the chimney should be swept prior to use to check for blockages, birds' nests etc. and rubble/debris blocking the flue ways.

Safety



NOTE: As with all solid fuel appliances, a carbon monoxide detector should be purchased for use in the room. All solid fuel appliances produce considerably more carbon monoxide in normal use than oil or gas appliances, but the general 'smell' of the smoke or exhaust is much stronger and more easily detected by a healthy person.

- Always use your appliance with the door shut and look for tell-tale signs of excessive leakage: smoke stains above the fireplace, smoke emitting around the door when running, strong smell of soot upstairs etc.
- Check the seals at the joints annually and replace the fire cement as required. Check especially the joint of the flue pipe to the chimney register plate, hairline cracks are OK, but lumps of cement missing produce a bad joint. A proprietary jointing compound should be used here, as it is far superior to a cement and rope seal.
- Never block air vents either internally or externally.
- Use the supplied glove to reload the stove.
- In the event of a chimney fire, close the door and shut the air vent right down. If possible throw ½ cup of coarse table salt onto the fire.
- Never modify parts or fit parts to the appliance that are not recommended by the manufacturer.
- Never use this appliance in the same flue as another appliance.
- The surface of a wood burning stove gets extremely hot in normal use. When using the stove in situations where children or aged and/or infirm persons are present, a fireguard must be used to prevent accidental contact with the stove. The fireguard should be manufactured in accordance with BS 8423:2002.
- Do not place photographs, TV's, paintings, porcelain or other combustible items on the wall or near the appliance. Exposure to hot temperatures will cause damage. Do not place furniture or other items such as drying clothing closer than 1m from the front of this appliance.
- **Each installation is unique to the property so it is not possible to give details to suit every setting.** The installation must comply with Building Regulations and be made using "best practice" construction methods. Many fireplace openings have a supporting lintel. Do not remove without supporting the remaining structure of the building. Do not support the structure with the appliance or the flue system.

Warranty

All our stoves are covered by a five year metalwork warranty. **(This is subject to the correct fuel having been used and not overloading or over aerating the stove.)**

The five year warranty covers the stove body only and does not include consumable items such as grates, vermiculite panels, baffles, log guards, door rope and glass.

Any warranty claims should be addressed to your original supplier and accompanied with the date of purchase and serial number of the appliance.

If you need further help...

If you need further help with your Burley Stove then the first point of contact should be your HETAS installer, who will be able to provide the answers to most questions.

Your Burley retailer also has a great deal of experience and will also be able to provide helpful advice. Further help is available from Burley's Customer Services department who will be pleased to give advice, if necessary.

Spare Parts

DESCRIPTION	9050	
	PART NO	QTY
TOP VERMICULITE BOARD		1
BACK VERMICULITE BOARD		1
BOTTOM VERMICULITE BOARD		1
LEFT HAND VERMICULITE BOARD		1
RIGHT HAND VERMICULITE BOARD		1
GLASS		2
GLASS CLIPS		2
GLASS ROPE TAPE		1M
DOOR SEAL ROPE		1M
STAINLESS STEEL BAFFLE		1

This page is intentionally blank

Customer & Installation Notes

Date of Installation:	
-----------------------	--

Installer Name & contact details

Chimney Swept	Date

Notes:



Made in the UK



Burley Appliances Limited
Lands' End Way
Oakham
Rutland
LE15 6RB
United Kingdom

Further information can be found at:
burley.co.uk/woodburner.php

Email: sales@burley.co.uk
Phone: 01572 756956
Fax: 01572 724390